

# BROMIC SMART-HEAT™ WIRELESS CONTROLLER



4-CHANNEL REMOTE\*

## Add control and convenience to your Smart-Heat™ Range

The Bromic Heating Wireless Controller has the ability to switch power supply to two separate outputs, enabling independent 'On/Off' control of two single-element heaters (2kW or 3kW), a single twin-element heater (4kw or 6kW) per unit, two gas heaters of your choice or up to four gas heaters controlled in groups of two.

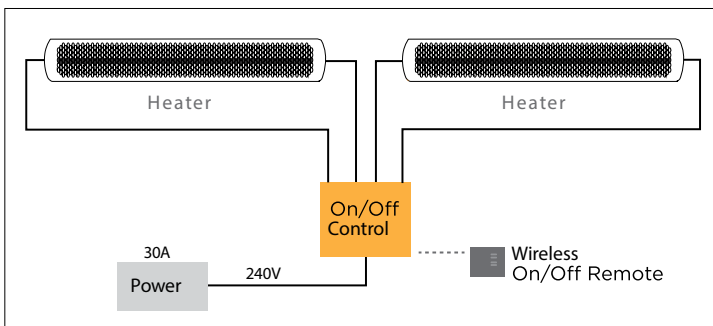
The unit's 4-channel remote control transmitter is entirely portable but can be easily mounted with a double sided adhesive or with screw provisions within the case.

\*All Bromic Heating remotes are able to control an infinite number of heaters within a 100-foot range.



### SPECIFICATIONS

Part Number	BH3130010-1
Power Supply	110/230VAC, 31A max, Single Phase
Max Output Power CHANNEL	3400W @ 230VAC 1500W @ 110VAC
Reception Frequency	916MHz
Operating Temperature Range	-4 to 122 °F
Maximum Remote Memorized	42
Dimensions	7" x 5.5" x 3.3"
Protection Class	IP54



HEATER TYPES	INSTALLATION OPTIONS
Electric	Option 1: 1 x 6000W
	Option 2: 1 x 4000W
	Option 3: 2 x 3400W
	Option 4: 2 x 3000W
	Option 5: 2 x 2000W
Gas	Option 1: 1 x Gas Heaters per output
	Option 2: 2 x Gas Heater per output

### ON/OFF CONTROLLER DIMENSIONS

